

SECTION **IP**
INSTRUMENT PANEL

A
B
C
D
E
F
G
H
I
IP
K
L
M
N
O
P

CONTENTS

PRECAUTION	2	SYMPTOM DIAGNOSIS	6
PRECAUTIONS	2	SQUEAK AND RATTLE TROUBLE DIAG- NOSES	6
Precaution for Supplemental Restraint System (SRS) "AIR BAG" and "SEAT BELT PRE-TEN- SIONER"	2	Work Flow	6
Precaution Necessary for Steering Wheel Rota- tion after 12V Battery Disconnect	2	Inspection Procedure	8
Precaution	3	Diagnostic Worksheet	10
PREPARATION	4	REMOVAL AND INSTALLATION	12
PREPARATION	4	INSTRUMENT PANEL ASSEMBLY	12
Special Service Tools	4	Exploded View	12
Commercial Service Tools	4	Removal and Installation	13
CLIP LIST	5	CENTER CONSOLE ASSEMBLY	23
Clip List	5	Exploded View	23
		Removal and Installation	24
		Disassembly and Assembly	27

PRECAUTIONS

< PRECAUTION >

PRECAUTION

PRECAUTIONS

Precaution for Supplemental Restraint System (SRS) "AIR BAG" and "SEAT BELT PRE-TENSIONER"

INFOID:000000008140203

The Supplemental Restraint System such as "AIR BAG" and "SEAT BELT PRE-TENSIONER", used along with a front seat belt, helps to reduce the risk or severity of injury to the driver and front passenger for certain types of collision. This system includes seat belt switch inputs and dual stage front air bag modules. The SRS system uses the seat belt switches to determine the front air bag deployment, and may only deploy one front air bag, depending on the severity of a collision and whether the front occupants are belted or unbelted. Information necessary to service the system safely is included in the "SRS AIR BAG" and "SEAT BELT" of this Service Manual.

WARNING:

Always observe the following items for preventing accidental activation.

- To avoid rendering the SRS inoperative, which could increase the risk of personal injury or death in the event of a collision that would result in air bag inflation, all maintenance must be performed by an authorized NISSAN/INFINITI dealer.
- Improper maintenance, including incorrect removal and installation of the SRS, can lead to personal injury caused by unintentional activation of the system. For removal of Spiral Cable and Air Bag Module, see "SRS AIR BAG".
- Never use electrical test equipment on any circuit related to the SRS unless instructed to in this Service Manual. SRS wiring harnesses can be identified by yellow and/or orange harnesses or harness connectors.

PRECAUTIONS WHEN USING POWER TOOLS (AIR OR ELECTRIC) AND HAMMERS

WARNING:

Always observe the following items for preventing accidental activation.

- When working near the Air Bag Diagnosis Sensor Unit or other Air Bag System sensors with the ignition ON or engine running, never use air or electric power tools or strike near the sensor(s) with a hammer. Heavy vibration could activate the sensor(s) and deploy the air bag(s), possibly causing serious injury.
- When using air or electric power tools or hammers, always switch the ignition OFF, disconnect the 12V battery, and wait at least 3 minutes before performing any service.

Precaution Necessary for Steering Wheel Rotation after 12V Battery Disconnect

INFOID:000000008140204

For vehicle with steering lock unit, if the 12V battery is disconnected or discharged, the steering wheel will lock and cannot be turned.

If turning the steering wheel is required with the 12V battery disconnected or discharged, follow the operation procedure below before starting the repair operation.

OPERATION PROCEDURE

1. Connect both 12V battery cables.

NOTE:

Supply power using jumper cables if 12V battery is discharged.

2. Turn the ignition switch to ACC position.
(At this time, the steering lock will be released.)
3. Disconnect both 12V battery cables. The steering lock will remain released with both 12V battery cables disconnected and the steering wheel can be turned.
4. Perform the necessary repair operation.
5. When the repair work is completed, re-connect both 12V battery cables. With the brake pedal released, turn the ignition switch from ACC position to ON position, then to LOCK position. (The steering wheel will lock when the ignition switch is turned to LOCK position.)
6. Perform All DTC Reading using CONSULT and delete DTC.

NOTE:

Multiple DTCs are detected when 12V battery cable is disconnected while ignition switch is in ACC position.

PRECAUTIONS

< PRECAUTION >

Precaution

INFOID:000000008140205

- Disconnect battery negative terminal in advance.
- Disconnect air bag system line in advance.
- Never tamper with or force air bag lid open, as this may adversely affect air bag performance.
- Be careful not to scratch pad and other parts.
- When removing or disassembling any part, be careful not to damage or deform it. Protect parts, that may get in the way with a shop cloth.
- When removing parts with a screwdriver or other tool, cover the tool surface with vinyl tape to protect parts.
- Keep removed parts protected with a shop cloth.
- If a clip is deformed or damaged, replace it.
- If an un reusable part is removed, replace it with a new one.
- Tighten bolts and nuts firmly to the specified torque.
- After reassembly is complete, check that each part functions correctly.
- Remove stains via the following procedure.

Water-soluble stains:

Dip a soft cloth in warm water, and then squeeze it tightly. After wiping off the stain, wipe with a soft dry cloth.

Oil stain:

Dissolve a synthetic detergent in warm water (density of 2 to 3%), dip the cloth, then wipe off the stain with the cloth. Next, dip the cloth in fresh water and squeeze it tightly. Then wipe off the detergent completely. Then wipe the area with a soft dry cloth.

- Never use any organic solvent, such as thinner or benzine.

A

B

C

D

E

F

G

H

I

IP

K

L

M

N

O

P

PREPARATION

< PREPARATION >

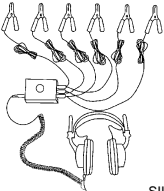
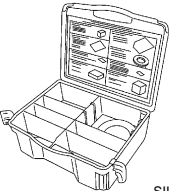
PREPARATION

PREPARATION

Special Service Tools

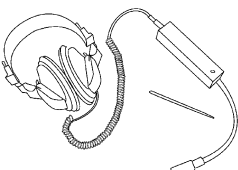
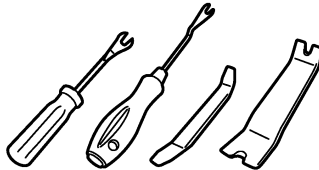
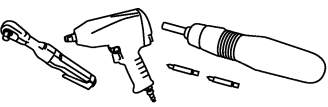
INFOID:000000008140206

The actual shapes of Kent-Moore tools may differ from those of special service tools illustrated here.

Tool number (Kent-Moore No.) Tool name	Description
<p>(J-39570) Chassis ear</p>  <p>SIIA0993E</p>	<p>Locates the noise</p>
<p>(J-43980) NISSAN Squeak and Rattle Kit</p>  <p>SIIA0994E</p>	<p>Repairs the cause of noise</p>

Commercial Service Tools

INFOID:000000008140207

Tool name	Description
<p>Engine ear</p>  <p>SIIA0995E</p>	<p>Locates the noise</p>
<p>Remover tool</p>  <p>JMKIA3050ZZ</p>	<p>Removes clips, pawls, and metal clips</p>
<p>Power tool</p>  <p>PIIB1407E</p>	

CLIP LIST

< PREPARATION >

CLIP LIST

Clip List

INFOID:000000008140208

Shapes	Removal & Installation	Shapes	Removal & Installation
	<p>Removal: Remove by bending up with flat-bladed screwdrivers or clip remover.</p>		<p>Removal: Finisher Clip A Flat-bladed screwdriver Clip B</p>
	<p>Removal: Remove with a clip remover.</p>		<p>Removal: Flat-bladed screwdriver Finisher Body panel Clip A Clip B (Grommet)</p>
	<p>Removal: Push center pin to catching position. (Do not remove center pin by hitting it.)</p> <p>Installation: Push</p>		<p>Removal: Holder portion of clip must be spread out to remove rod.</p>
	<p>Removal: Remove by bending up with flat-bladed screwdrivers or clip remover.</p> <p>Clip Finisher</p>		<p>Removal: 1. Screw out with a Phillips screwdriver. 2. Remove female portion with flat-bladed screwdriver.</p>
	<p>Removal:</p>		<p>Removal: Rotate 45° to remove.</p> <p>Installation:</p>
	<p>Removal:</p>		<p>Removal:</p>

JMJIA3734GB

A
B
C
D
E
F
G
H
I
IP
K
L
M
N
O
P

SQUEAK AND RATTLE TROUBLE DIAGNOSES

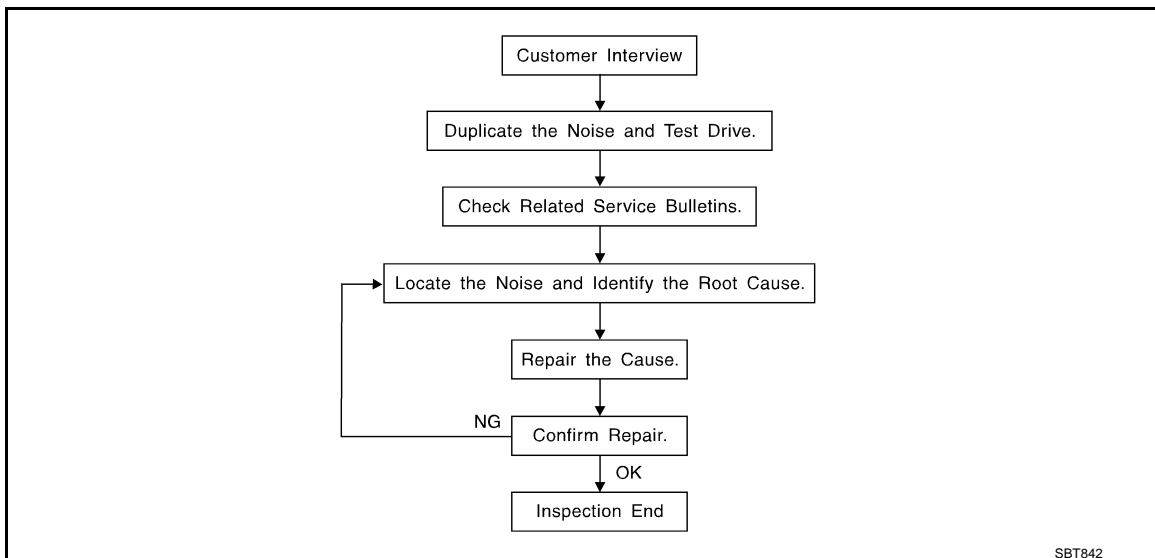
< SYMPTOM DIAGNOSIS >

SYMPTOM DIAGNOSIS

SQUEAK AND RATTLE TROUBLE DIAGNOSES

Work Flow

INFOID:000000008140209



CUSTOMER INTERVIEW

Interview the customer if possible, to determine the conditions that exist when the noise occurs. Use the Diagnostic Worksheet during the interview to document the facts and conditions when the noise occurs and any customer comments. Refer to [IP-10, "Diagnostic Worksheet"](#). This information is necessary to duplicate the conditions that exist when the noise occurs.

- The customer may not be able to provide a detailed description or the location of the noise. Attempt to obtain all the facts and conditions that exist when the noise occurs (or does not occur).
- If there is more than one noise in the vehicle, perform a diagnosis and repair the noise that the customer is concerned about. This can be accomplished by performing a test drive with the customer.
- After identifying the type of noise, isolate the noise in terms of its characteristics. The noise characteristics are provided so that the customer, service adviser, and technician use the same language when describing the noise.
- Squeak – (Like tennis shoes on a clean floor)
Squeak characteristics include the light contact / fast movement / brought on by road conditions / hard surfaces = high-pitched noise / softer surfaces = low-pitched noises / edge to surface = chirping
- Creak – (Like walking on an old wooden floor)
Creak characteristics include firm contact / slow movement/twisting with a rotational movement / pitch dependent on materials / often brought on by activity.
- Rattle – (Like shaking a baby rattle)
Rattle characteristics include fast repeated contact / vibration or similar movement / loose parts/missing clip or fastener / incorrect clearance.
- Knock – (Like a knock on a door)
Knock characteristics include hollow sounds / sometimes repeating / often brought on by driver action.
- Tick – (Like a clock second hand)
Tick characteristics include gentle contacting of light materials / loose components / can be caused by driver action or road conditions.
- Thump – (Heavy, muffled knock noise)
Thump characteristics include softer knock / dull sounds often brought on by activity.
- Buzz – (Like a bumblebee)
Buzz characteristics include high frequency rattle / firm contact.
- Often the degree of acceptable noise level varies depending upon the person. A noise that a technician may judge as acceptable may be very irritating to a customer.
- Weather conditions, especially humidity and temperature, may have a great effect on noise level.

DUPLICATE THE NOISE AND TEST DRIVE

SQUEAK AND RATTLE TROUBLE DIAGNOSES

< SYMPTOM DIAGNOSIS >

If possible, drive the vehicle with the customer until the noise is duplicated. Note any additional information on the Diagnostic Worksheet regarding the conditions or location of the noise. This information can be used to duplicate the same conditions when the repair is reconfirmed.

If the noise can be duplicated easily during the test drive, to help identify the source of the noise, try to duplicate the noise with the vehicle stopped by doing one or all of the following items:

- 1) Close a door.
 - 2) Tap or push/pull around the area where the noise appears to be coming from.
 - 3) Rev the engine.
 - 4) Use a floor jack to recreate vehicle "twist".
 - 5) At idle, apply engine load (electrical load, half-clutch on M/T models, drive position on A/T models).
 - 6) Raise the vehicle on a hoist and hit a tire with a rubber hammer.
- Drive the vehicle and attempt to duplicate the conditions the customer states exist when the noise occurs.
 - If it is difficult to duplicate the noise, drive the vehicle slowly on an undulating or rough road to stress the vehicle body.

CHECK RELATED SERVICE BULLETINS

After verifying the customer concern or symptom, check ASIST for Technical Service Bulletins (TSBs) related to the concern or symptom.

If a TSB relates to the symptom, follow the procedure to repair the noise.

LOCATE THE NOISE AND IDENTIFY THE ROOT CAUSE

1. Narrow down the noise to a general area. To help pinpoint the source of the noise, use a listening tool (Chassis ear: J-39570, engine ear, and mechanics stethoscope).
2. Narrow down the noise to a more specific area and identify the cause of the noise by:
 - Removing the component(s) in the area that is / are suspected to be the cause of the noise. Do not use too much force when removing clips and fasteners, otherwise clips and fasteners can be broken or lost during the repair, resulting in the creation of new noise.
 - Tapping or pushing/pulling the component(s) that is / are suspected to be the cause of the noise. Do not tap or push/pull the component(s) with excessive force, otherwise the noise is eliminated only temporarily.
 - Feeling for a vibration by hand by touching the component(s) that is / are suspected to be the cause of the noise.
 - Placing a piece of paper between components that are suspected to be the cause of the noise.
 - Looking for loose components and contact marks.
Refer to [IP-8, "Inspection Procedure"](#).

REPAIR THE CAUSE

- If the cause is a loose component, tighten the component securely.
- If the cause is insufficient clearance between components:
 - Separate components by repositioning or loosening and retightening the components, if possible.
 - Insulate components with a suitable insulator such as urethane pads, foam blocks, felt cloth tape, or urethane tape. A NISSAN Squeak and Rattle Kit (J-43980) is available through the authorized NISSAN Parts Department.

CAUTION:

Never use excessive force as many components are constructed of plastic and may be damaged.

NOTE:

Always check with the Parts Department for the latest parts information.

The following materials are contained in the NISSAN Squeak and Rattle Kit (J-43980). Each item can be ordered separately as needed.

URETHANE PADS [1.5 mm (0.059 in) thick]

Insulates connectors, harness, etc.

- 76268-9E005: 100 × 135 mm (3.937 × 5.315 in)
- 76884-71L01: 60 × 85 mm (2.362 × 3.346 in)
- 76884-71L02: 15 × 25 mm (0.591 × 0.984 in)

INSULATOR (Foam blocks)

Insulates components from contact. Can be used to fill space behind a panel.

- 73982-9E000: 45 mm (1.772 in) thick, 50 × 50 mm (1.969 × 1.969 in)
- 73982-50Y00: 10 mm (0.394 in) thick, 50 × 50 mm (1.969 × 1.969 in)

INSULATOR (Light foam block)

80845-71L00: 30 mm (1.181 in) thick, 30 × 50 mm (1.181 × 1.969 in)

FELT CLOTH TAPE

SQUEAK AND RATTLE TROUBLE DIAGNOSES

< SYMPTOM DIAGNOSIS >

Used to insulate where movement does not occur. Ideal for instrument panel applications.

- 68370-4B000: 15 × 25 mm (0.591 × 0.984 in) pad
- 68239-13E00: 5 mm (0.197 in) wide tape roll

The following materials, not found in the kit, can also be used to repair squeaks and rattles.

UHMW (TEFLON) TAPE

Insulates where slight movement is present. Ideal for instrument panel applications.

SILICONE GREASE

Used in place of UHMW tape that is visible or does not fit. Only lasts a few months.

SILICONE SPRAY

Used when grease cannot be applied.

DUCT TAPE

Used to eliminate movement.

CONFIRM THE REPAIR

After repair is complete, test drive the vehicle to confirm that the cause of noise is repaired by test driving the vehicle. Operate the vehicle under the same conditions as when the noise originally occurred. Refer to the notes on the Diagnostic Worksheet.

Inspection Procedure

INFOID:000000008140210

Refer to Table of Contents for specific component removal and installation information.

INSTRUMENT PANEL

Most incidents are caused by contact and movement between:

1. The cluster lid A and instrument panel
2. Acrylic lens and combination meter housing
3. Instrument panel to front pillar garnish
4. Instrument panel to windshield
5. Instrument panel mounting pins
6. Wiring harnesses behind the combination meter
7. A/C defroster duct and duct joint

These incidents can usually be located by tapping or moving the components to duplicate the noise or by pressing on the components while driving to stop the noise. Most of these incidents can be repaired by applying felt cloth tape or silicon spray (in hard to reach areas). Urethane pads can be used to insulate wiring harness.

CAUTION:

Never use silicone spray to isolate a squeak or rattle. If the area is saturated with silicone, the recheck of repair becomes impossible.

CENTER CONSOLE

Components to check include:

1. Shifter assembly cover to finisher
2. A/C control unit and cluster lid C
3. Wiring harnesses behind audio and A/C control unit

The instrument panel repair and isolation procedures also apply to the center console.

DOORS

Check the following items:

1. Finisher and inner panel making a slapping noise
2. Inside handle escutcheon connection to door finisher
3. Wiring harnesses tapping
4. Door striker out of alignment causing a popping noise on starts and stops

Tapping, moving the components, or pressing on them while driving to duplicate the conditions can isolate many of these incidents. The areas can usually be insulated with felt cloth tape or insulator foam blocks from the NISSAN Squeak and Rattle Kit (J-43980) to repair the noise.

TRUNK

Trunk noises are often caused by a loose jack or loose items put into the trunk by the customer.

In addition check for the following items:

SQUEAK AND RATTLE TROUBLE DIAGNOSES

< SYMPTOM DIAGNOSIS >

1. Trunk lid dumpers out of adjustment
2. Trunk lid striker out of adjustment
3. Trunk lid torsion bars knocking together
4. A loose license plate or bracket

Most of these incidents can be repaired by adjusting, securing, or insulating the item(s) or component(s) causing the noise.

SUNROOF/HEADLINING

Noises in the sunroof / headlining area can often be traced to one of the following items:

1. Sunroof lid, rail, linkage, or seals making a rattle or light knocking noise
2. Sunvisor shaft shaking in the holder
3. Front or rear windshield touching headlining and squeaking

Again, pressing on the components to stop the noise while duplicating the conditions can isolate most of these incidents. Repairs usually consist of insulating with felt cloth tape.

SEATS

When isolating seat noise it is important to note the position the seat is in and the load placed on the seat when the noise occurs. These conditions should be duplicated when verifying and isolating the cause of the noise.

Causes of seat noise include:

1. Headrest rods and holder
2. A squeak between the seat pad cushion and frame
3. The rear seatback lock and bracket

These noises can be isolated by moving or pressing on the suspected components while duplicating the conditions under which the noise occurs. Most of these incidents can be repaired by repositioning the component or applying urethane tape to the contact area.

UNDERHOOD

Some interior noise may be caused by components under the hood or on the engine wall. The noise is then transmitted into the passenger compartment.

Causes of transmitted underhood noise include:

1. Any component mounted to the engine wall
2. Components that pass through the engine wall
3. Engine wall mounts and connectors
4. Loose radiator mounting pins
5. Hood bumpers out of adjustment
6. Hood striker out of adjustment

These noises can be difficult to isolate since they cannot be reached from the interior of the vehicle. The best method is to secure, move, or insulate one component at a time and test drive the vehicle. Also, engine RPM or load can be changed to isolate the noise. Repairs can usually be made by moving, adjusting, securing, or insulating the component causing the noise.

A

B

C

D

E

F

G

H

I

IP

K

L

M

N

O

P

SQUEAK AND RATTLE TROUBLE DIAGNOSES

< SYMPTOM DIAGNOSIS >

Diagnostic Worksheet

INFOID:000000008140211



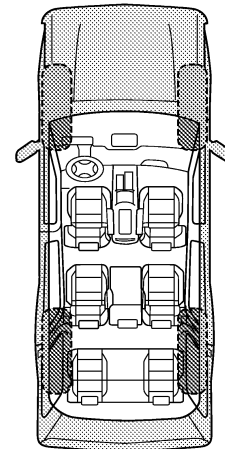
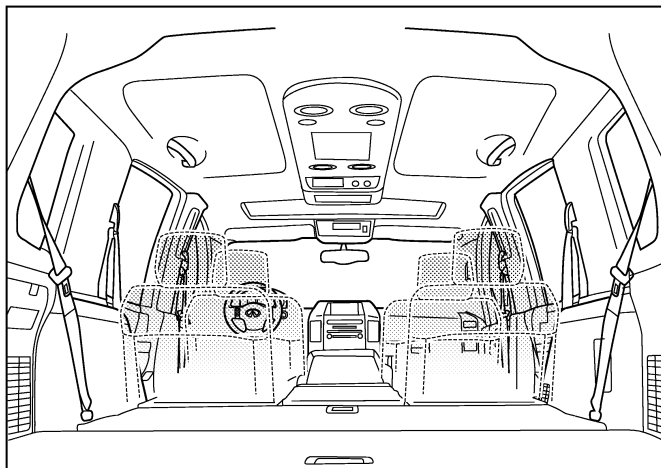
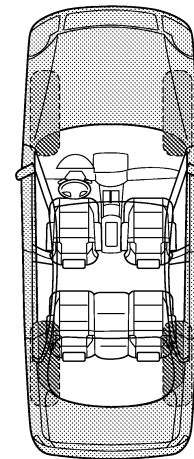
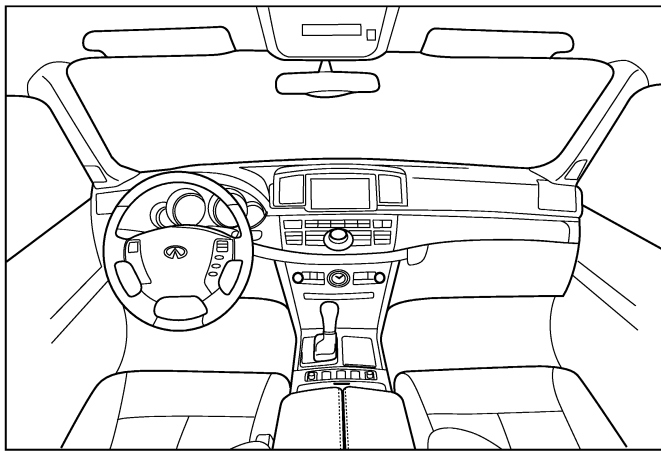
SQUEAK & RATTLE DIAGNOSTIC WORKSHEET

Dear Infiniti Customer:

We are concerned about your satisfaction with your Infiniti vehicle. Repairing a squeak or rattle sometimes can be very difficult. To help us fix your Infiniti right the first time, please take a moment to note the area of the vehicle where the squeak or rattle occurs and under what conditions. You may be asked to take a test drive with a service consultant or technician to ensure we confirm the noise you are hearing.

I. WHERE DOES THE NOISE COME FROM? (circle the area of the vehicle)

The illustrations are for reference only, and may not reflect the actual configuration of your vehicle.



Continue to page 2 of the worksheet and briefly describe the location of the noise or rattle. In addition, please indicate the conditions which are present when the noise occurs.

PIIB8741E

SQUEAK AND RATTLE TROUBLE DIAGNOSES

< SYMPTOM DIAGNOSIS >

SQUEAK & RATTLE DIAGNOSTIC WORKSHEET - page 2

Briefly describe the location where the noise occurs:

II. WHEN DOES IT OCCUR? (please check the boxes that apply)

- | | |
|---|--|
| <input type="checkbox"/> anytime | <input type="checkbox"/> after sitting out in the rain |
| <input type="checkbox"/> 1st time in the morning | <input type="checkbox"/> when it is raining or wet |
| <input type="checkbox"/> only when it is cold outside | <input type="checkbox"/> dry or dusty conditions |
| <input type="checkbox"/> only when it is hot outside | <input type="checkbox"/> other: |

III. WHEN DRIVING:

- through driveways
- over rough roads
- over speed bumps
- only about ____ mph
- on acceleration
- coming to a stop
- on turns: left, right or either (circle)
- with passengers or cargo
- other: _____
- after driving ____ miles or ____ minutes

IV. WHAT TYPE OF NOISE

- squeak (like tennis shoes on a clean floor)
- creak (like walking on an old wooden floor)
- rattle (like shaking a baby rattle)
- knock (like a knock at the door)
- tick (like a clock second hand)
- thump (heavy, muffled knock noise)
- buzz (like a bumble bee)

TO BE COMPLETED BY DEALERSHIP PERSONNEL

Test Drive Notes:

	YES	NO	Initials of person performing
Vehicle test driven with customer	<input type="checkbox"/>	<input type="checkbox"/>	_____
- Noise verified on test drive	<input type="checkbox"/>	<input type="checkbox"/>	_____
- Noise source located and repaired	<input type="checkbox"/>	<input type="checkbox"/>	_____
- Follow up test drive performed to confirm repair	<input type="checkbox"/>	<input type="checkbox"/>	_____

VIN: _____ Customer Name: _____
W.O.# _____ Date: _____

This form must be attached to Work Order

PIIB8742E

A
B
C
D
E
F
G
H
I
IP
K
L
M
N
O
P

INSTRUMENT PANEL ASSEMBLY

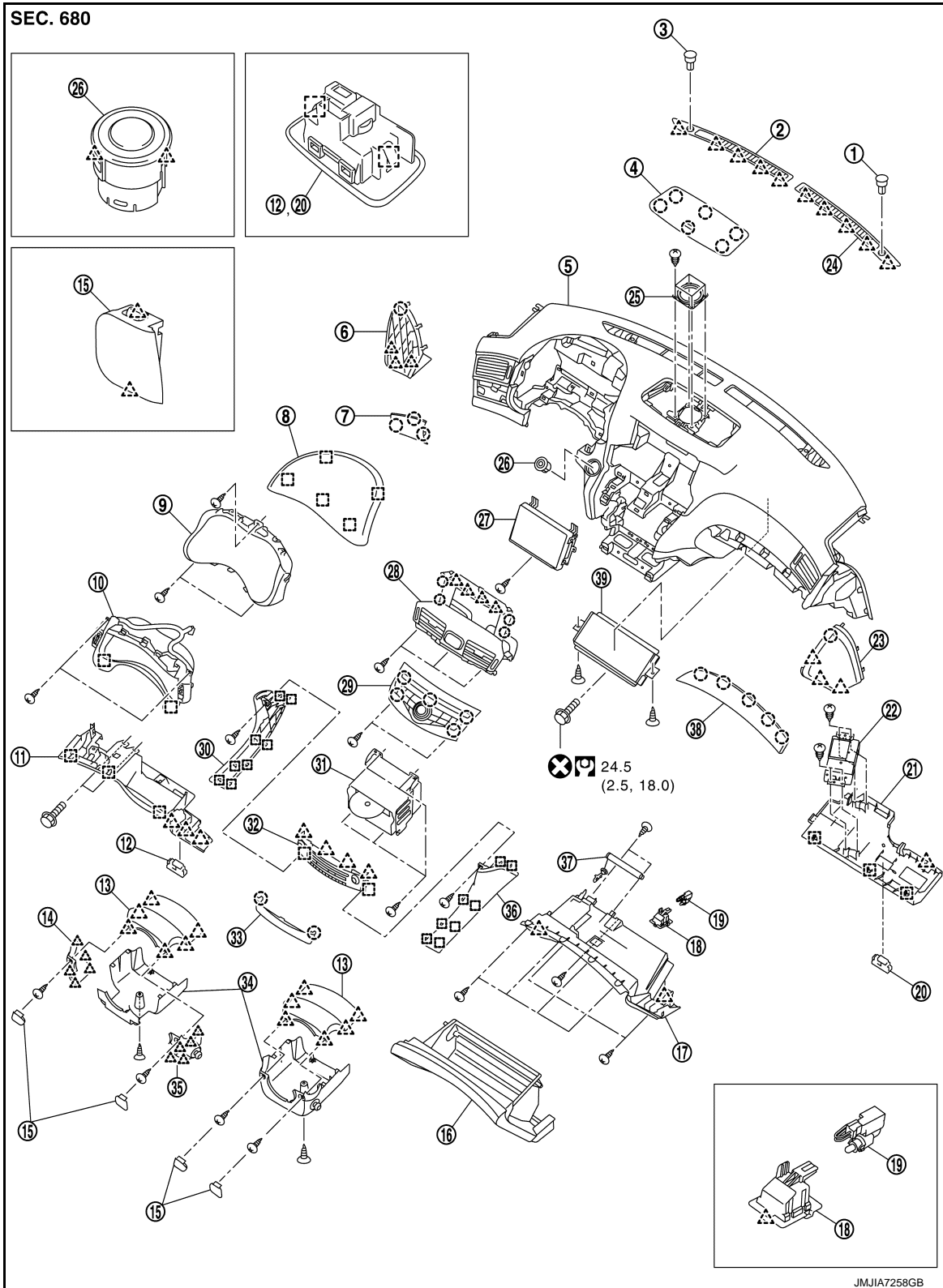
< REMOVAL AND INSTALLATION >

REMOVAL AND INSTALLATION

INSTRUMENT PANEL ASSEMBLY

Exploded View

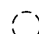
INFOID:000000008140212

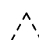


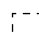
INSTRUMENT PANEL ASSEMBLY


< REMOVAL AND INSTALLATION >


- | | | | |
|---------------------------------|-----------------------------------|--------------------------------|---|
| 1. Optical sensor | 2. Front defroster grille LH | 3. Sunload sensor | A |
| 4. Upper ventilator grille | 5. Instrument panel assembly | 6. Instrument side finisher LH | |
| 7. Instrument finisher A | 8. Cluster lid A (upper) | 9. Combination meter | B |
| 10. Cluster lid A | 11. Instrument lower panel LH | 12. Foot lamp LH | |
| 13. Steering column upper cover | 14. Steering column side cover LH | 15. Steering column mask | C |
| 16. Glove box assembly | 17. Instrument lower panel RH | 18. Glove box lamp | |
| 19. Socket and bulb | 20. Foot lamp RH | 21. Instrument lower cover | D |
| 22. TCU | 23. Instrument side finisher RH | 24. Front defroster grille RH | |
| 25. Center speaker | 26. Push-button ignition switch | 27. Display unit | E |
| 28. Center ventilator assembly | 29. Cluster lid D | 30. Instrument side panel LH | |
| 31. AV control unit | 32. Preset switch | 33. Cluster lid C | F |
| 34. Steering column lower cover | 35. Steering column side cover RH | 36. Instrument side panel RH | |
| 37. Glove box dumper | 38. Instrument finisher B | 39. Passenger air bag module | G |

 : Clip

 : Pawl

 : Metal clip

 : Always replace after every disassembly.

 : N•m (kg-m, ft-lb)

Removal and Installation

INFOID:000000008140213

WORK STEP

When removing instrument panel assembly, combination meter, AV control unit, instrument finisher A, instrument finisher B, and center console assembly take steps as per the order shown in the following chart.

PARTS	INSTRUMENT PANEL ASSEMBLY	COMBINATION METER	AV CONTROL UNIT	INSTRUMENT FINISHER A	INSTRUMENT FINISHER B	CENTER CONSOLE ASSEMBLY	IP
Cluster lid C	[1]		[1]			[1]	K
Select lever knob	[2]		[2]			[2]	
Instrument side panel LH	[3]		[3]			[3]	L
Instrument side panel RH	[4]		[4]			[4]	
Console mask	[5]		[5]			[5]	M
Console finisher assembly	[6]					[6]	
Console rear finisher	[7]					[7]	N
Center console assembly	[8]					[8]	
Driver air bag module	[9]						O
Steering wheel	[10]						
Steering column covers	[11]						
Spiral cable	[12]						
Combination switch	[13]						
Cluster lid A (upper)	[14]	[1]					P
Cluster lid A	[15]	[2]					
Combination meter	[16]	[3]					
Connector clip and harness clip behind combination meter	[17]						
Inside key antenna and harness clamp	[18]						
Preset switch	[19]		[6]				

INSTRUMENT PANEL ASSEMBLY

< REMOVAL AND INSTALLATION >

Cluster lid D	[20]		[7]			
AV control unit	[21]		[8]			
Center ventilator assembly	[22]					
Display unit	[23]					
Instrument side finisher LH	[24]			[1]		
Front body side welt LH	[25]			[2]		
Front pillar garnish LH	[26]					
Instrument lower panel LH	[27]			[3]		
Instrument finisher A				[4]		
Push button ignition switch	[28]					
Upper ventilator grille	[29]					
Center speaker	[30]					
Front defroster grille LH	[31]					
Front defroster grille RH	[32]					
Instrument side finisher RH	[33]				[1]	
Front body side welt RH	[34]				[2]	
Front pillar garnish RH	[35]					
Instrument lower cover	[36]				[3]	
Glove box assembly	[37]				[4]	
Instrument lower panel RH	[38]				[5]	
Instrument finisher B					[6]	
Passenger air bag module	[39]					
Instrument panel assembly mounting bolts, screws, and clips	[40]					
Instrument panel assembly	[41]					

[]: Number indicates step in removal procedure.

WARNING:

To prevent accidental explosion, before servicing, turn ignition switch OFF, disconnect battery negative terminal and wait 3 minutes or more.

CAUTION:

To prevent damage to the parts, when removing, always use a remover tool that is made of plastic.

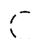
REMOVAL

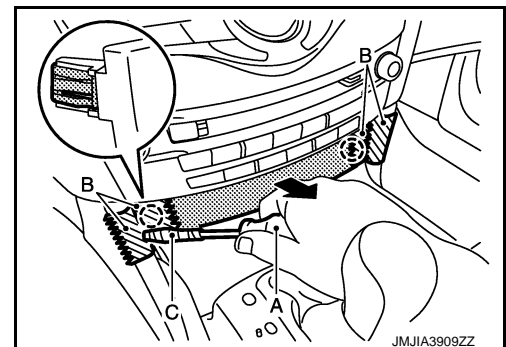
1. Remove cluster lid C.

Insert a flat-bladed screwdriver (A) between cluster lid C and instrument side panel LH and RH [within 15.0 mm (0.591 in) from lower end of cluster lid C] and disengage clips.

CAUTION:

- Apply protective tape (B) on the part to protect from damage.
- Apply protective tape (C) to flat-bladed screwdriver.
- Remove clips slowly so that they are not damaged.

 : Clip



2. Remove selector lever knob. Refer to [TM-180, "Removal and Installation"](#).

INSTRUMENT PANEL ASSEMBLY

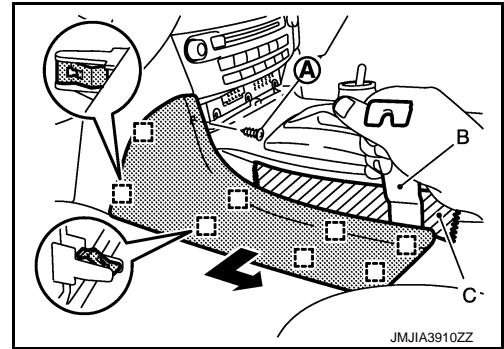
< REMOVAL AND INSTALLATION >

3. Remove instrument side panel LH.
 1. Remove screw (A).
 2. Insert a remover tool (B) between instrument side panel LH and console finisher assembly and disengage metal clips on the lateral side.
 3. Pull out instrument side panel LH toward vehicle rear and disengage metal clips in front end.

CAUTION:

Apply protective tape (C) on the part to protect from damage.

 : Metal clip

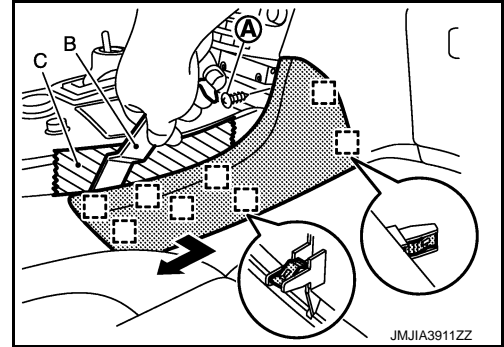


4. Remove instrument side panel RH.
 1. Remove screw (A).
 2. Insert a remover tool (B) between instrument side panel RH and console finisher assembly and disengage metal clips on the lateral side.
 3. Pull out instrument side panel RH toward vehicle rear and disengage metal clips in front end.


CAUTION:


Apply protective tape (C) on the part to protect from damage.

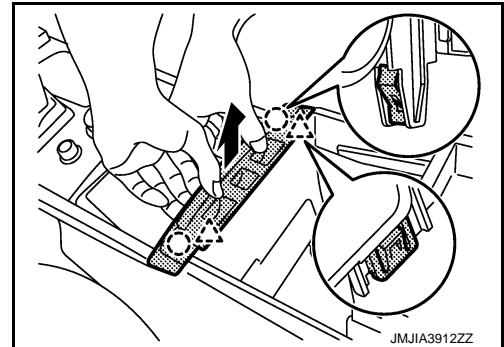
 : Metal clip



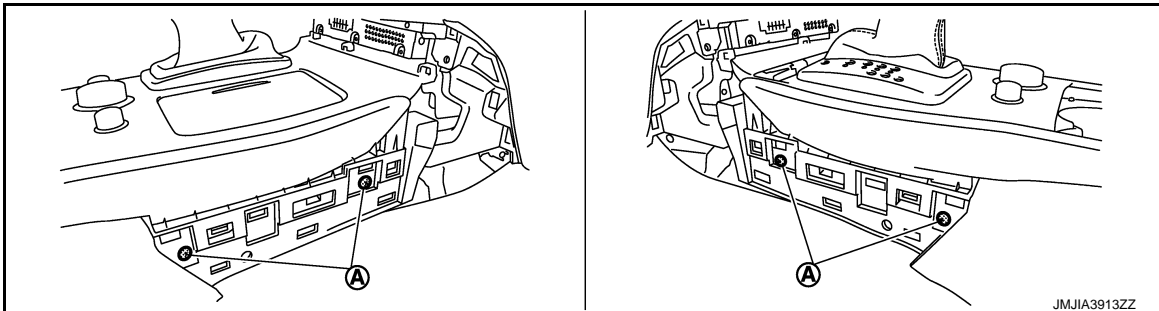
5. Remove console mask.
 1. Open the cup holder and console lid.
 2. Pull upward to release console mask fixing clips and pawls from center console assembly.

 : Clip

 : Pawl



6. Remove console finisher assembly.
 1. Put selector lever in "D" position.
 2. Remove screws (A).



A
B
C
D
E
F
G
H
I
IP
K
L
M
N
O
P

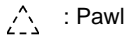
INSTRUMENT PANEL ASSEMBLY

< REMOVAL AND INSTALLATION >

3. Lift up console finisher assembly back side, and then remove console finisher assembly.

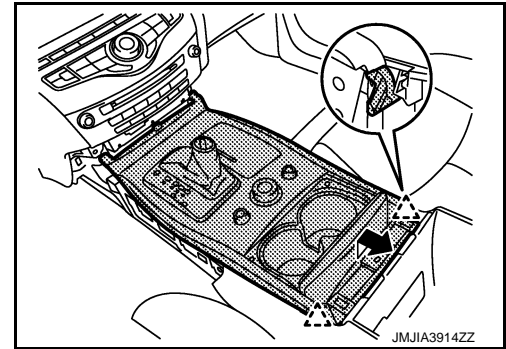
CAUTION:

- Be careful not to damage front end of console finisher assembly.
- Disengage slowly so that pawls in rear end of console finisher assembly are not damaged.
- Be careful not to damage preset switch.



: Pawl

4. Disconnect harness connectors.



7. Remove console rear finisher.

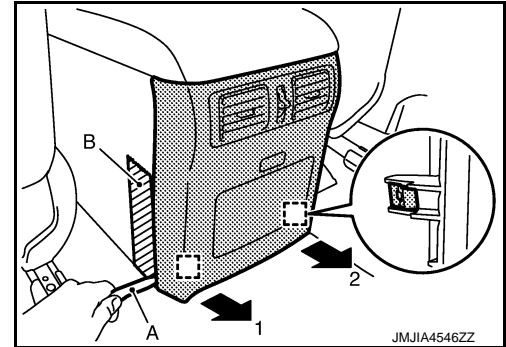
1. Close the console lid assembly.
2. Insert remover tool (A) between console rear finisher and center console assembly to disengage the metal clips of console rear finisher lower side.

CAUTION:

- Hooks of console rear finisher are engaged at upper and lower. Never pull console rear finisher forcefully.
- Apply protective tape (B) on the part to protect from damage.



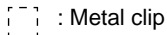
: Metal clip



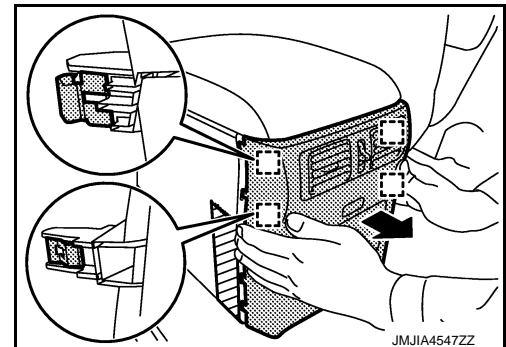
3. Pull console rear finisher toward vehicle rear and disengage metal clips on center portion and upper portion of console rear finisher.

CAUTION:

- Hooks of console rear finisher are engaged at upper and lower. Never pull console rear finisher forcefully.



: Metal clip

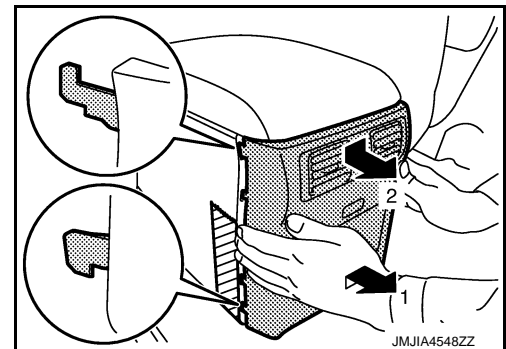


4. Hold both sides of console rear finisher and pull it out towards vehicle rear, while disengaging hooks at upper and lower and then bypassing hooks.

CAUTION:

- Remove hooks slowly so that they are not damaged.

5. Disconnect harness connector of back side and remove console rear finisher.



8. Remove center console assembly.

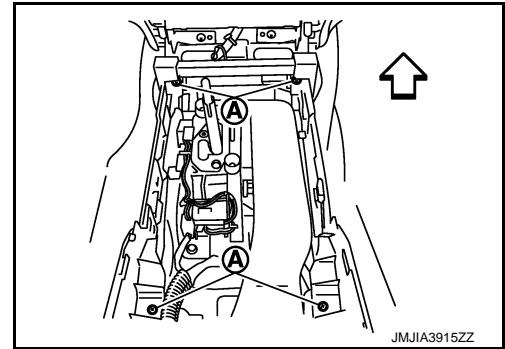
1. Disconnect inside key antenna (console) harness connector. Refer to [DLK-181. "CONSOLE : Removal and Installation"](#).
2. Disconnect USB connector harness connector. Refer to [AV-118. "Removal and Installation"](#).
3. Disconnect console power socket harness connector. Refer to [PWO-6. "Removal and Installation"](#).

INSTRUMENT PANEL ASSEMBLY

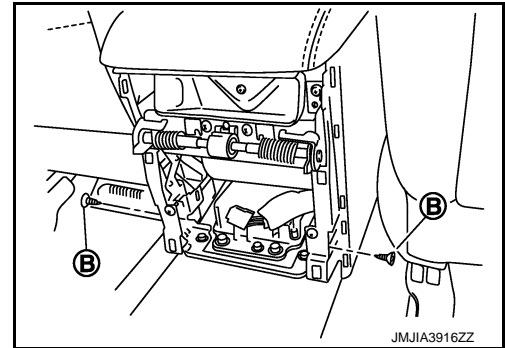
< REMOVAL AND INSTALLATION >

4. Remove center console assembly fixing screws (A).

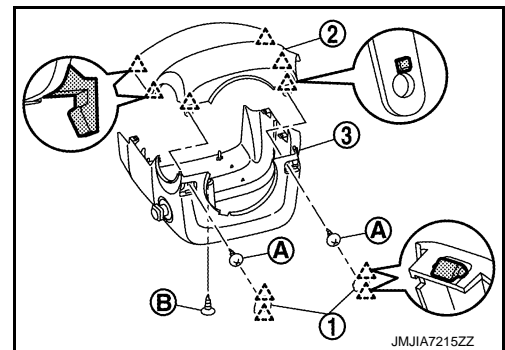
↶ : Vehicle front



5. Put front seat to frontmost position.
6. Remove center console assembly fixing screws (B).



7. Put front seat to rearmost position.
8. Lift up center console assembly back side, and then remove center console assembly.
9. Remove driver air bag module. Refer to [SR-11, "Removal and Installation"](#).
10. Remove steering wheel. Refer to [ST-29, "Removal and Installation"](#).
11. Remove steering column covers.
 1. Set tilt mechanism to the neutral position and telescopic mechanism to the fully extended position.
 2. Remove steering column mask LH/RH (1).
 3. Remove screws (A).
 4. Pull up the steering column upper cover (2), and then disengage the pawls.
 5. Remove steering column upper cover.
 6. Remove screws (B).
 7. Pull down the steering column lower cover (3).
 8. Disconnect ADP steering switch connector.
 9. Remove steering column lower cover.



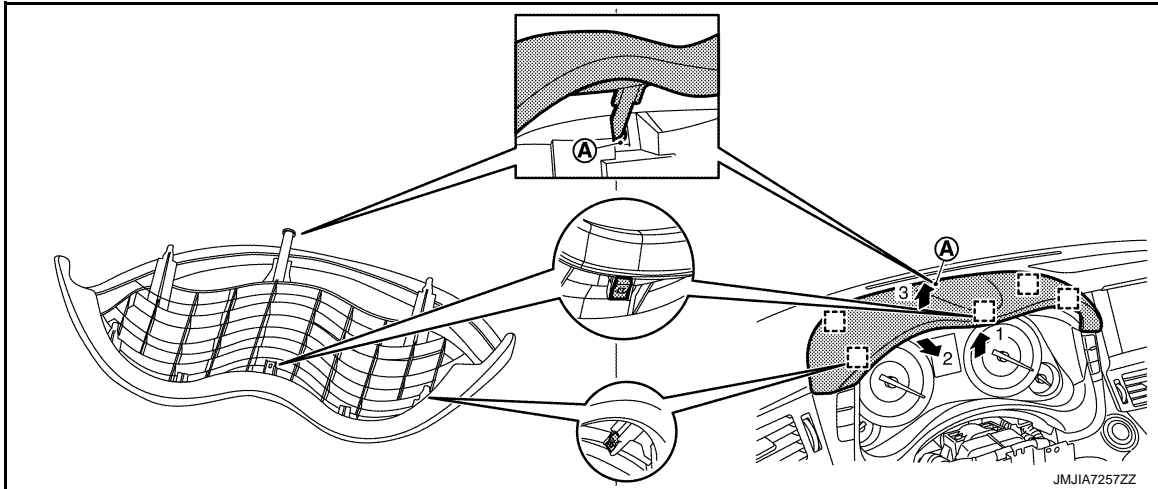
△ : Pawl


12. Remove spiral cable. Refer to [SR-14, "Removal and Installation"](#).
13. Remove combination switch. Refer to [BCS-81, "Removal and Installation"](#).
14. Remove cluster lid A (upper).
 1. Pull cluster lid A (upper) in the direction indicated by an arrow 1 as shown in the figure. Disengage metal clips.

INSTRUMENT PANEL ASSEMBLY

< REMOVAL AND INSTALLATION >


2. Pull cluster lid A (upper) in the directions indicated by an arrow 2 and then an arrow 3 as shown in the figure. Remove cluster lid A (upper) while avoiding flange portion of screw (A) from instrument panel.



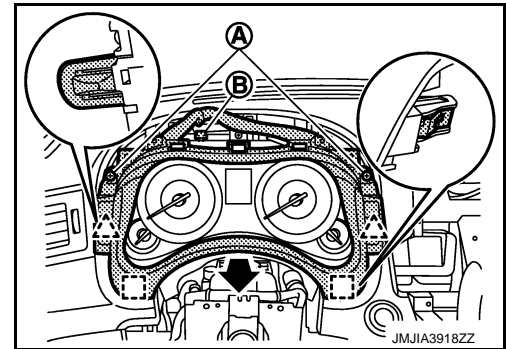
 : Metal clip

15. Remove cluster lid A.

1. Remove fixing screws (A).
2. Disconnect harness connector (B).
3. Pull back cluster lid A and disengage the pawls and metal clips.

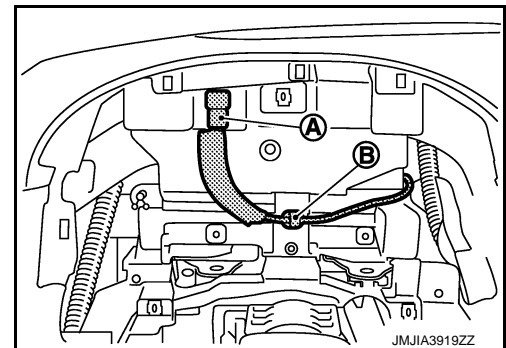
 : Pawl

 : Metal clip



16. Remove combination meter. Refer to [MWI-81, "Removal and Installation"](#).

17. Disengage connector clip (A) and harness clip (B), which are connected to instrument panel assembly.



18. Remove inside key antenna (instrument center) and harness clamp. Refer to [DLK-181, "INSTRUMENT CENTER : Removal and Installation"](#).

19. Remove preset switch. Refer to [AV-116, "Removal and Installation"](#).

INSTRUMENT PANEL ASSEMBLY

< REMOVAL AND INSTALLATION >

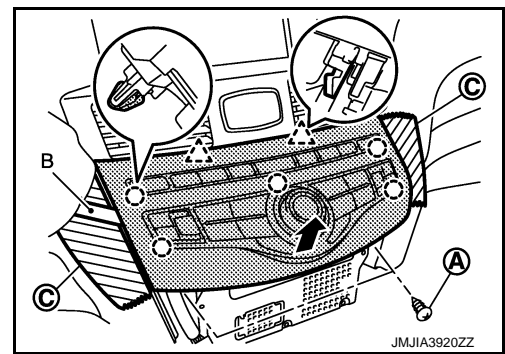
20. Remove cluster lid D.

1. Remove screw (A).
2. Insert a remover tool (B) between cluster lid D and instrument panel assembly, and then disengage clips and pawls.
3. Pull up cluster lid D, and then disconnect harness connectors.

CAUTION:

Apply protective tape (C) on the part to protect from damage.

- : Clip
 △ : Pawl

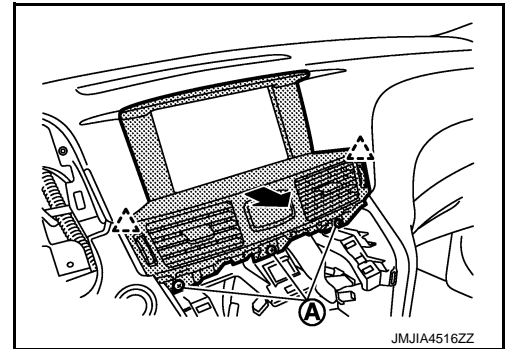


21. Remove AV control unit. Refer to [AV-104, "Removal and Installation"](#).

22. Remove center ventilator assembly.

1. Remove screw (A).
2. Pull back center ventilator assembly while holding the lower side and disengage the pawls underside.

- △ : Pawl

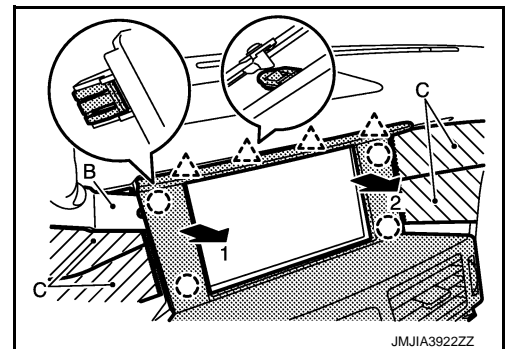


3. Insert remover tool (B) between center ventilator assembly and instrument panel assembly to disengage the clips and pawls of center ventilator assembly upper side.
4. Pull center ventilator assembly, and then disconnect harness connector.

CAUTION:

Apply protective tape (C) on the part to protect from damage.

- : Clip
 △ : Pawl



23. Remove display unit. Refer to [AV-112, "Removal and Installation"](#).

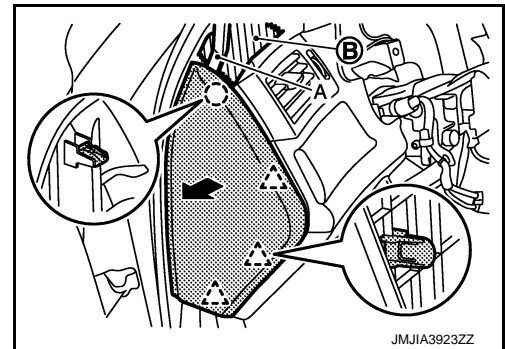
24. Remove instrument side finisher LH.

1. Insert remover tool (A) between instrument side finisher LH and instrument panel assembly to disengage the clips as shown in the figure.
2. Pull the instrument side finisher LH crosswise, and disengage the pawls.

CAUTION:

- Apply protective tape (B) on the part to protect from damage.
- Remove pawls slowly so that they are not damaged.

- : Clip
 △ : Pawl



25. Remove front body side welt LH. Refer to [INT-36, "BODY SIDE WELT : Removal and Installation"](#).

26. Remove front pillar garnish LH. Refer to [INT-31, "FRONT PILLAR GARNISH : Removal and Installation"](#).

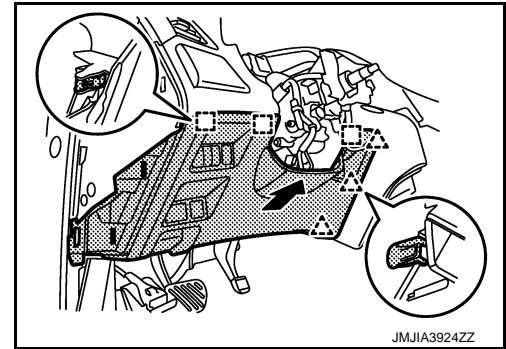
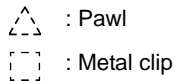
27. Remove instrument lower panel LH.

1. Remove hood opener lever mounting bolts. Refer to [DLK-162, "Exploded View"](#).

INSTRUMENT PANEL ASSEMBLY

< REMOVAL AND INSTALLATION >

2. Pull back instrument lower panel RH to disengage the pawls and metal clips.
3. Disconnect harness connectors and aspirator duct.



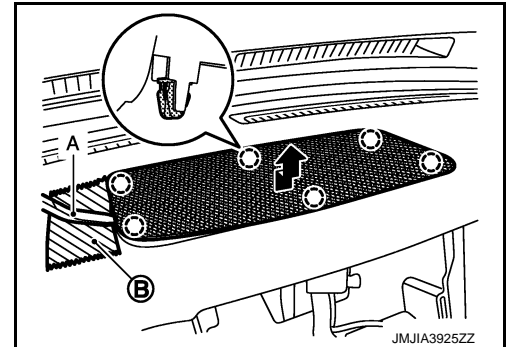
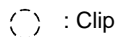
28. Remove push button ignition switch. Refer to [PCS-71, "Removal and Installation"](#).

29. Remove upper ventilator grille.

1. Insert remover tool (A) between upper ventilator grille and instrument panel assembly to disengage the clips as shown in the figure.
2. Pull toward the arrow direction.

CAUTION:

Apply protective tape (B) on the part to protect from damage.



30. Remove center speaker (with BOSE audio). Refer to [AV-270, "Removal and Installation"](#).

31. Remove front defroster grille LH. Refer to [VTL-10, "FRONT DEFROSTER GRILLE : Removal and Installation"](#).

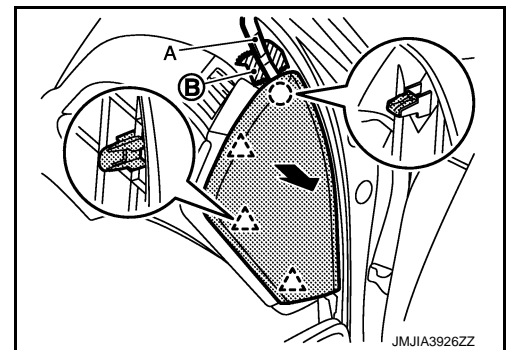
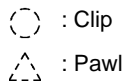
32. Remove front defroster grille RH. Refer to [VTL-10, "FRONT DEFROSTER GRILLE : Removal and Installation"](#).

33. Remove instrument side finisher RH.

1. Insert remover tool (A) between instrument side finisher RH and instrument panel assembly to disengage the clips as shown in the figure.
2. Pull the instrument side finisher RH crosswise, and disengage the pawls.

CAUTION:

- Apply protective tape (B) on the part to protect from damage.
- Remove pawls slowly so that they are not damaged.

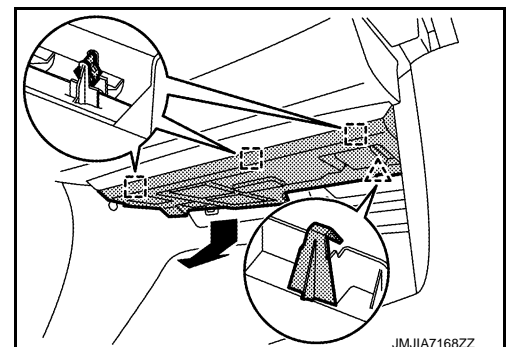
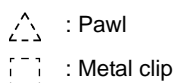


34. Remove front body side welt RH. Refer to [INT-31, "Exploded View"](#).

35. Remove front pillar garnish RH. Refer to [INT-31, "FRONT PILLAR GARNISH : Removal and Installation"](#).

36. Remove instrument lower cover.

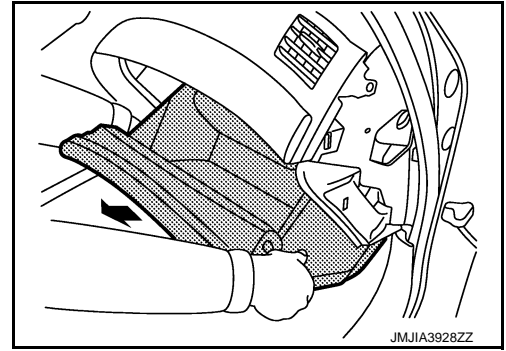
1. Pull downward and disengage fixing pawl and metal clips.
2. Pull back instrument lower cover.
3. Disconnect foot lamp RH harness connector and TCU harness connector (if equipped).



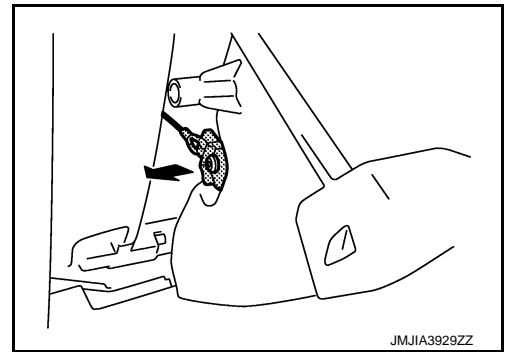
INSTRUMENT PANEL ASSEMBLY

< REMOVAL AND INSTALLATION >


37. Remove glove box assembly.
 1. Open the glove box.
 2. Pull back glove box assembly.

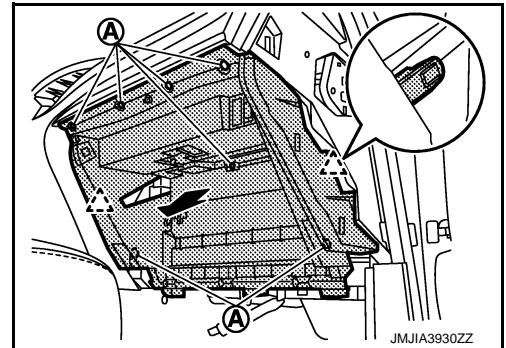


3. Remove damper pin on left side.
CAUTION:
Never excessively pull string of glove box damper.



38. Remove instrument lower panel RH.
 1. Remove screws (A).
 2. Pull back instrument lower panel RH to disengage the pawls.
 3. Disconnect harness connectors and harness clips.

 : Pawl



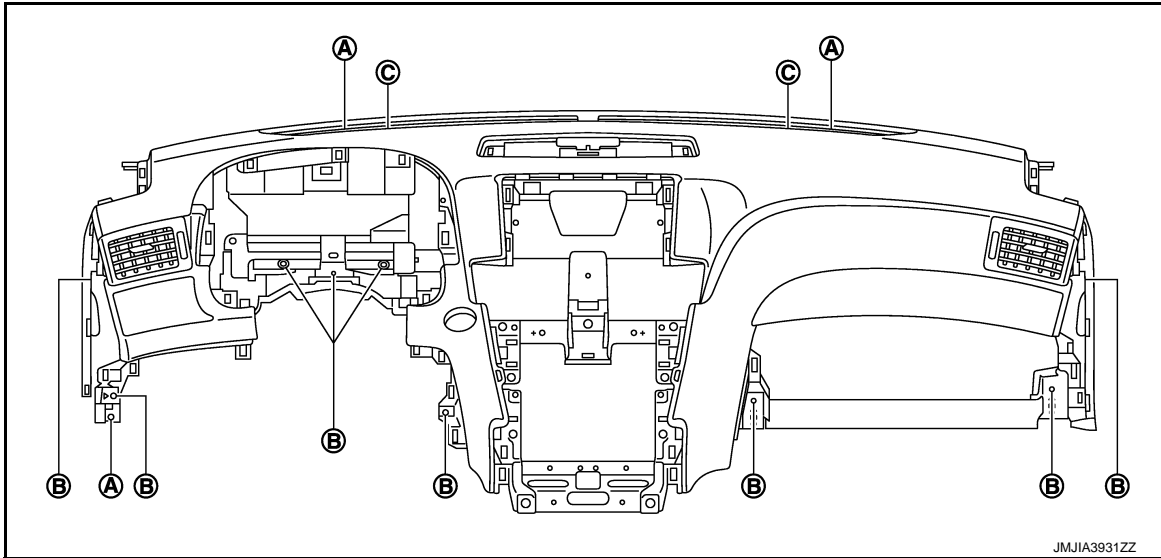
39. Remove passenger air bag module. Refer to [SR-18, "Removal and Installation"](#).
40. Remove instrument panel assembly mounting bolts (A), screws (B), and clips (C).
CAUTION:

A
B
C
D
E
F
G
H
I
IP
K
L
M
N
O
P

INSTRUMENT PANEL ASSEMBLY

< REMOVAL AND INSTALLATION >

Cover tool with a shop cloth to prevent windshield glass from being damaged.



41. Remove instrument panel assembly.

CAUTION:

When removing instrument panel assembly, 2 workers are required to prevent it from dropping.

42. Remove the following parts after removing the instrument panel assembly.

- Side ventilator grille (LH and RH): Refer to [VTL-10, "SIDE VENTILATOR GRILLE : Removal and Installation"](#).
- Ventilator duct: Refer to [VTL-11, "VENTILATOR DUCT : Removal and Installation"](#).
- GPS antenna (with NAVI): Refer to [AV-284, "Removal and Installation"](#).
- Instrument finisher A: Disengage the fixing pawls from the back of the instrument panel assembly.
- Instrument finisher B: Disengage the fixing pawls from the back of the instrument panel assembly.

INSTALLATION

Note the following items, and then install in the reverse order of removal.

CAUTION:

- **Never use the steering wheel mounting nut after removal, replace with the new nut.**
- **Never use the driver air bag module mounting bolts after removal, replace with the new bolts.**
- **Never use the passenger air bag module mounting bolt after removal, replace with the new bolt.**

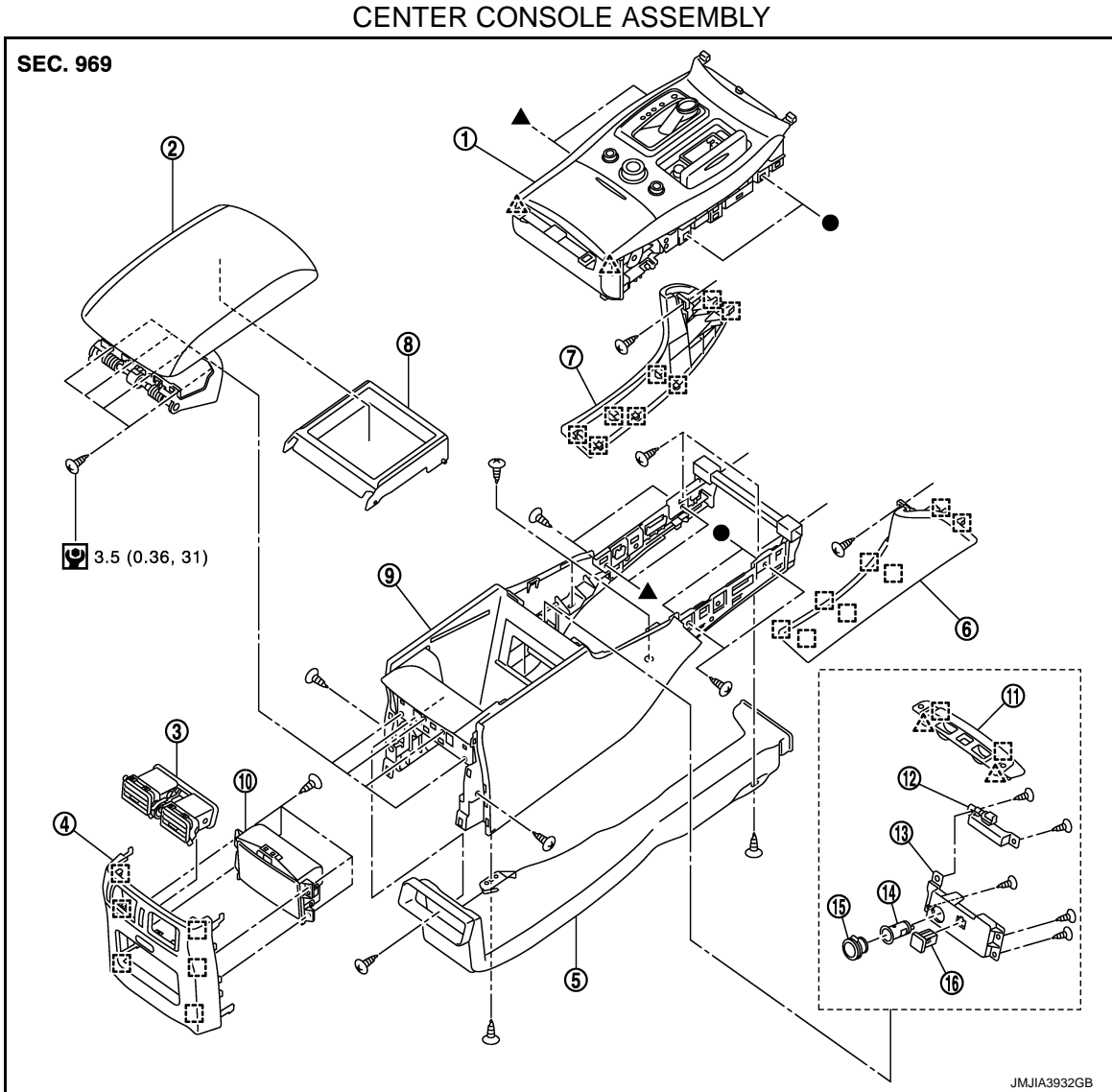
CENTER CONSOLE ASSEMBLY

< REMOVAL AND INSTALLATION >

CENTER CONSOLE ASSEMBLY

Exploded View

INFOID:000000008140214



- | | | |
|----------------------------------|-------------------------|----------------------------------|
| 1. Console finisher assembly | 2. Console lid assembly | 3. Rear ventilator grille |
| 4. Console rear finisher | 5. Rear ventilator duct | 6. Instrument side panel RH |
| 7. Instrument side panel LH | 8. Console tray | 9. Center console assembly |
| 10. Console rear pocket assembly | 11. Console mask | 12. Inside key antenna (console) |
| 13. Console center finisher | 14. Inner socket case | 15. Socket knob |
| 16. USB connector | | |

▲ : Pawl

□ : Metal clip

⊙ : N·m (kg·m, in·lb)

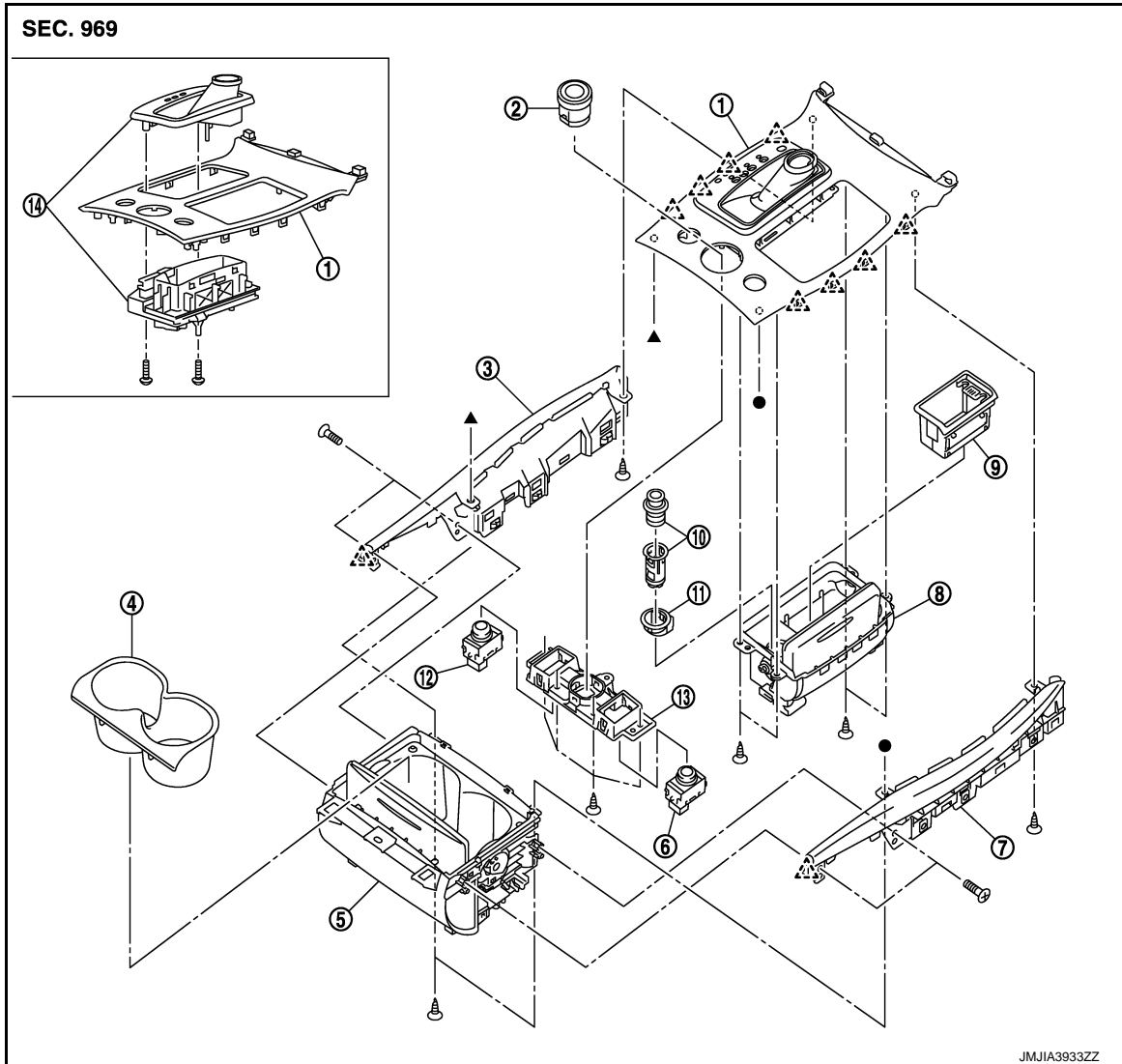
▲, ●: Indicates that the part is connected at points with same symbol in actual vehicle.

A
B
C
D
E
F
G
H
I
P
K
L
M
N
O
P

CENTER CONSOLE ASSEMBLY

< REMOVAL AND INSTALLATION >

CONSOLE FINISHER ASSEMBLY



- | | | |
|--------------------------------|------------------------------------|----------------------------|
| 1. Console indicator finisher | 2. Infiniti drive mode selector | 3. Cluster lid finisher LH |
| 4. Inner case | 5. Cup holder assembly | 6. Heated seat switch |
| 7. Cluster lid finisher RH | 8. Ashtray assembly | 9. Inner ashtray |
| 10. Cigarette lighter complete | 11. Cigarette lighter ring | 12. Heated seat switch |
| 13. Switch panel | 14. A/T control indicator assembly | |

△ : Pawl

▲, ●: Indicates that the part is connected at points with same symbol in actual vehicle.

Removal and Installation

INFOID:000000008140215

CAUTION:

To prevent damage to the parts, when removing, always use a remover tool that is made of plastic.

REMOVAL


CENTER CONSOLE ASSEMBLY

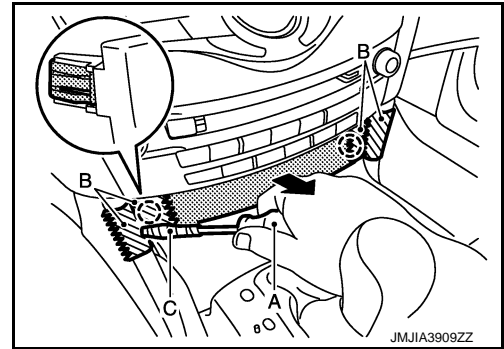
< REMOVAL AND INSTALLATION >

1. Remove cluster lid C.
Insert a flat-bladed screwdriver (A) between cluster lid C and instrument side panel LH and RH [within 15.0 mm (0.591 in) from lower end of cluster lid C] and disengage clips.

CAUTION:

- Apply protective tape (B) on the part to protect from damage.
- Apply protective tape (C) to flat-bladed screwdriver.
- Remove clips slowly so that they are not damaged.

 : Clip



2. Remove selector lever knob. Refer to [TM-180, "Removal and Installation"](#).

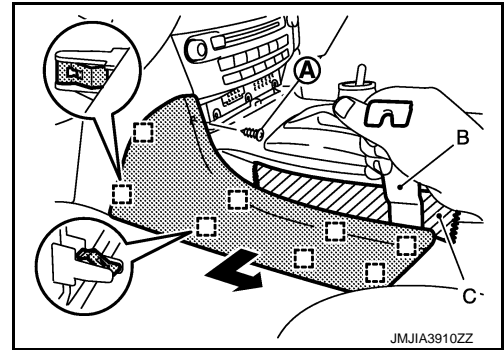
3. Remove instrument side panel LH.

1. Remove screw (A).
2. Insert a remover tool (B) between instrument side panel LH and console finisher assembly and disengage metal clips on the lateral side.
3. Pull out instrument side LH toward vehicle rear and disengage metal clips in front end.

CAUTION:

Apply protective tape (C) on the part to protect from damage.

 : Metal clip



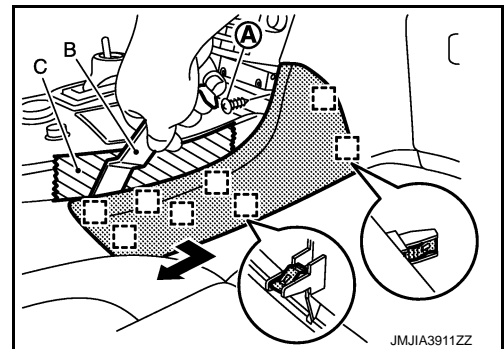
4. Remove instrument side panel RH.

1. Remove screw (A).
2. Insert a remover tool (B) between instrument side panel RH and console finisher assembly and disengage metal clips on the lateral side.
3. Pull out instrument side RH toward vehicle rear and disengage metal clips in front end.

CAUTION:


Apply protective tape (C) on the part to protect from damage.

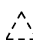
 : Metal clip

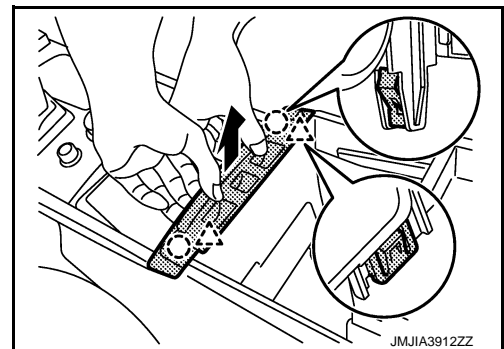


5. Remove console mask.

1. Open the cup holder and console lid.
2. Pull upward to release console mask fixing clips and pawls from center console assembly.

 : Clip

 : Pawl



6. Remove console finisher assembly.

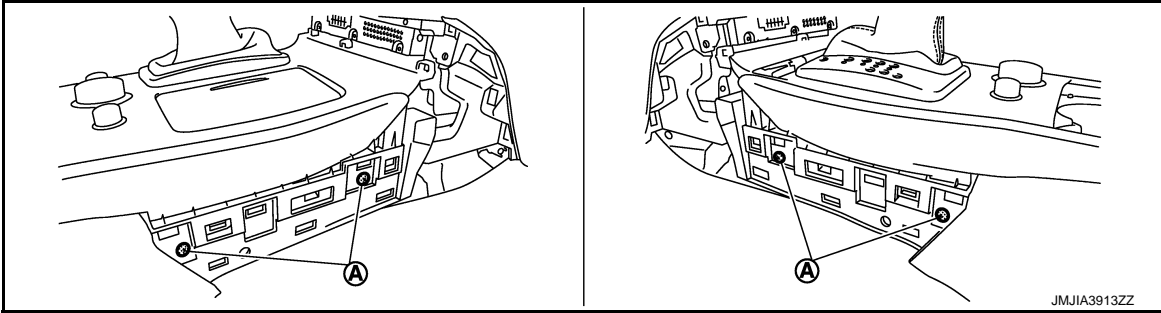
1. Put selector lever in "D" position.

A
B
C
D
E
F
G
H
I
IP
K
L
M
N
O
P

CENTER CONSOLE ASSEMBLY

< REMOVAL AND INSTALLATION >


2. Remove screws (A).



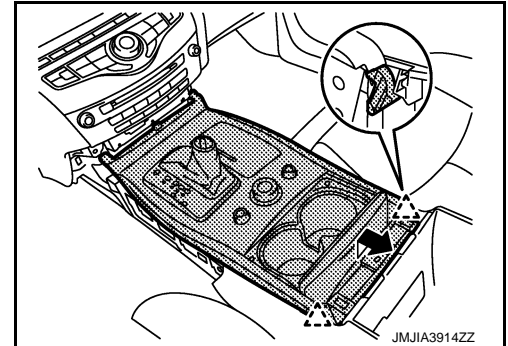
3. Lift up console finisher assembly back side, and then remove console finisher assembly.

CAUTION:

- Be careful not to damage front end of console finisher assembly.
- Disengage slowly so that pawls in rear end of console finisher assembly are not damaged.
- Be careful not to damage preset switch.

 : Pawl

4. Disconnect harness connectors.



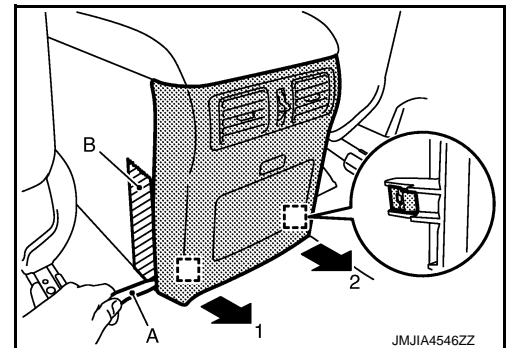
7. Remove console rear finisher.

1. Close the console lid assembly.
2. Insert remover tool (A) between console rear finisher and center console assembly to disengage the metal clips of console rear finisher lower side.

CAUTION:

- Hooks of console rear finisher are engaged at upper and lower. Never pull console rear finisher forcefully.
- Apply protective tape (B) on the part to protect from damage.

 : Metal clip

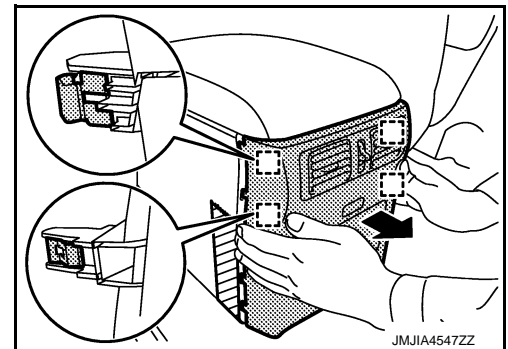


3. Pull console rear finisher toward vehicle rear and disengage metal clips on center portion and upper portion of console rear finisher.

CAUTION:

- Hooks of console rear finisher are engaged at upper and lower. Never pull console rear finisher forcefully.

 : Metal clip



CENTER CONSOLE ASSEMBLY

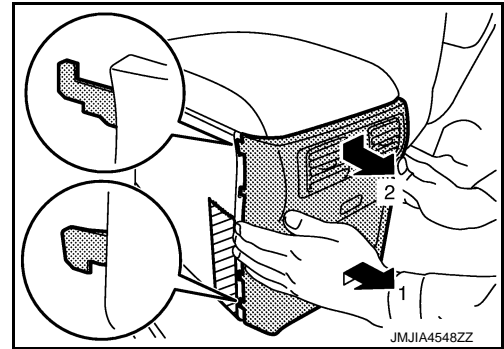
< REMOVAL AND INSTALLATION >

4. Hold both sides of console rear finisher and pull it out towards vehicle rear, while disengaging hooks at upper and lower and then bypassing hooks.

CAUTION:

Remove hooks slowly so that they are not damaged.

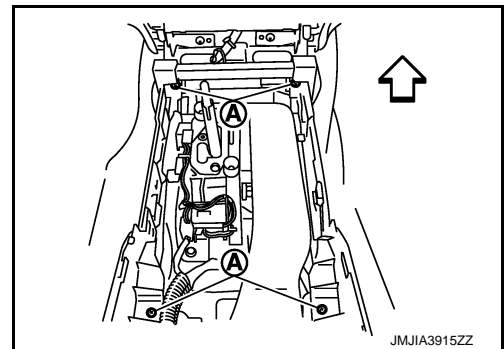
5. Disconnect harness connector of back side and remove console rear finisher.



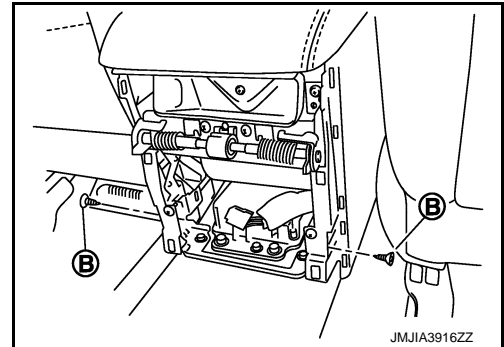
8. Remove center console assembly.

1. Disconnect inside key antenna (console) harness connector. Refer to [PWO-6, "Removal and Installation"](#).
2. Disconnect USB connector harness connector. Refer to [AV-118, "Removal and Installation"](#).
3. Disconnect console power socket harness connector. Refer to [PWO-6, "Removal and Installation"](#).
4. Remove center console assembly fixing screws (A).

← : Vehicle front



5. Put front seat to frontmost position.
6. Remove center console assembly fixing screws (B).



7. Put front seat to rearmost position.
8. Lift up center console assembly back side, and then remove center console assembly.

INSTALLATION

Install in the reverse order of removal.

Disassembly and Assembly

INFOID:000000008140216

Disassembly and Assembly of Center Console Assembly

CAUTION:

To prevent damage to the parts, when disassembling, always use a remover tool that is made of plastic.

DISASSEMBLY

1. Remove console finisher assembly. Refer to [IP-24, "Removal and Installation"](#).
2. Remove console tray.

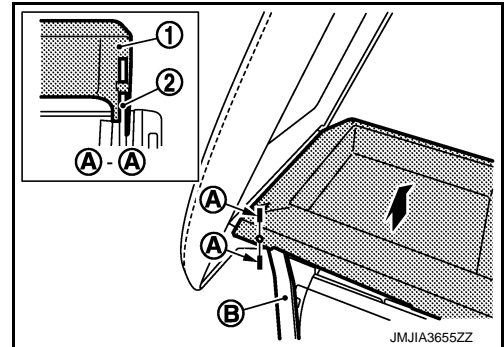
CENTER CONSOLE ASSEMBLY

< REMOVAL AND INSTALLATION >

1. Open the console lid assembly.
2. Insert a remover tool (B) between console tray (1) and hinge arm (2) and disengage connection of rear portion.

CAUTION:

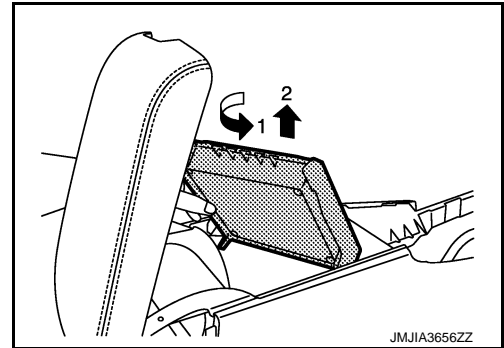
- Slowly disengage connection of console tray.
- To prevent damage to the parts, never excessively pull console tray.



3. Rotate console tray as shown in the figure. Slide toward vehicle front end pull toward vehicle upper.

CAUTION:

- Slowly disengage connection of console tray.
- To prevent damage to the parts, never excessively pull console tray.



3. Remove console lid assembly.

1. Remove screws (A).

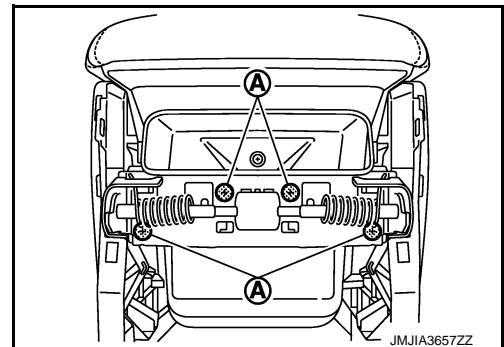
NOTE:

Do not lock console lid assembly. Perform the operation while console lid assembly is partly open.

CAUTION:

To prevent injury, be careful of the strong repulsive force of the spring.

2. Pull back console lid assembly.



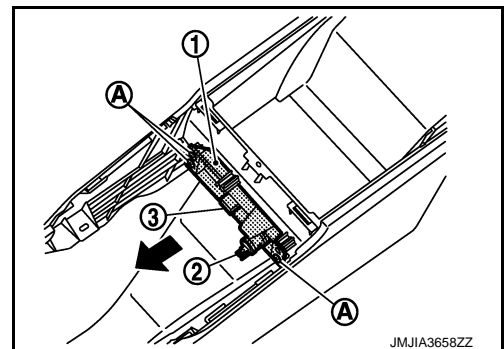
4. Rear ventilator duct. Refer to [VTL-14, "REAR VENTILATOR DUCT : Removal and Installation"](#).
5. Remove inside key antenna (console). Refer to [DLK-181, "CONSOLE : Removal and Installation"](#).
6. Remove console center finisher.

1. Remove screws (A).
2. Pull toward the arrow direction.

NOTE:

Remove the following parts after removing console center finisher (1).

- Power socket (2): Refer to [PWO-6, "Removal and Installation"](#).
- USB connector (3): Refer to [AV-118, "Removal and Installation"](#).



ASSEMBLY

Assemble in the reverse order of disassembly.

CAUTION:

When installing console lid assembly, tighten to the specified torque.

 : 3.5 N·m (0.36 kg·m, 31 in·lb)

CENTER CONSOLE ASSEMBLY

< REMOVAL AND INSTALLATION >

Disassembly and Assembly of Console Finisher Assembly

CAUTION:

When disassembling, always use a remover tool that is made of plastic.

DISASSEMBLY

1. Remove console finisher assembly. Refer to [IP-24, "Removal and Installation"](#).
2. Remove cluster lid finisher (LH/RH) fixing screws, and then remove cluster lid finisher (LH/RH).
3. Remove cup holder assembly fixing screws, and then remove cup holder assembly.
4. Remove A/T control indicator fixing screws, and then remove A/T control indicator.
5. Remove infiniti drive mode selector.
6. Remove switch panel fixing screws, and then remove switch panel.
7. Remove ashtray assembly fixing screws, and then remove ashtray assembly.

ASSEMBLY

Assemble in the reverse order of disassembly.

A
B
C
D
E
F
G
H
I
K
L
M
N
O
P

IP